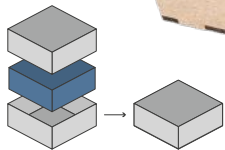




ORGANIZER - COMPATIBLE WITH ARK NOVA - UPGRADE PACK (TO FIT ALSO MARINE WORLDS EXP)



This Upgrade Pack, specifically designed for the owners of our organizer for Ark Nova base game, allows to switch some trays with others which have slots for Marine Worlds expansion. **WARNING:** this product needs our Ark Nova base game organizer in order to be properly used.



Designed to fit into the game box; flush closure is guaranteed. Progettato per inserirsi all'interno della scatola del gioco; garantisce chiusura a filo*



Designed for both sleeved and unsleeved cards. Adatto sia per carte imbustate che non imbustate*

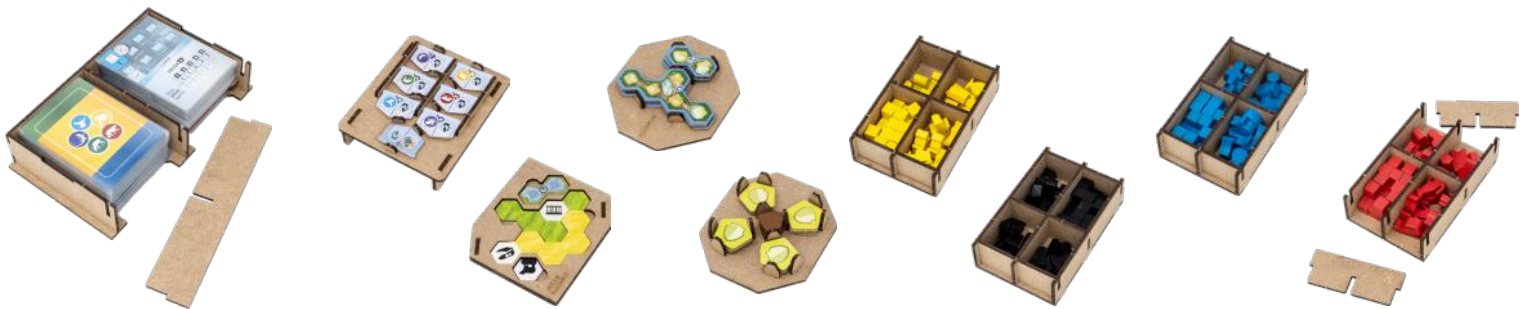
35.1 x 28.6 x 5.8 cm



Size of assembled organiser
Dimensioni organizer assemblato

UPGRADE PACK CAPACITY

4x player set boxes; 1x card holder, with dedicated slots; 2x trays for special enclosures, universities and partner zoos; 1x unique building trays; 1x tray for pause meeple and bonus tiles. 4x scatole set giocatore; 1x portacarte, con slot dedicati; 2x vassoi per recinti speciali e università; 1x vassoio per token edifici unici; 1x contenitore per meeple pausa e tessere bonus.



* Any doubt?
Check out our FAQ page or download the digital version of the instructions on our website!

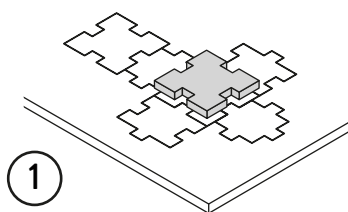
All trademarks and copyrights are the property of their respective owners.
This product is not a toy. Contains small parts that can be swallowed or inhaled. 14+

thedicetroyers.com [f /thedicetroyers](https://www.facebook.com/thedicetroyers) [@ /thedicetroyers](https://www.instagram.com/thedicetroyers) info@thedicetroyers.com



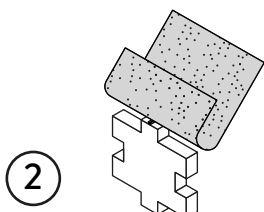


ORGANIZER - COMPATIBLE WITH
ARK NOVA - UPGRADE PACK
 (TO FIT ALSO MARINE WORLDS EXP)



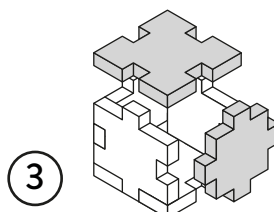
1

Gently take off
 all the pieces.
Stacca delicatamente
 dal foglio tutti i pezzi.



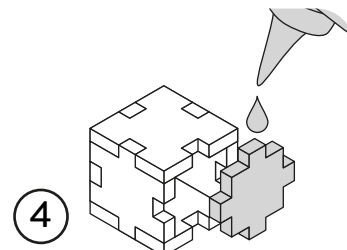
2

If necessary, use sand paper to
 smoothen the borders.
 Se necessario rifila con carta
vetrata per legno eventuali
 imperfezioni dei pezzi.



3

Get familiar with
 all the pieces
 and check the correct assembly
sequence.
 Prendi familiarità con tutti
 i pezzi, per assicurarti
che la sequenza di assemblaggio sia
corretta.



4

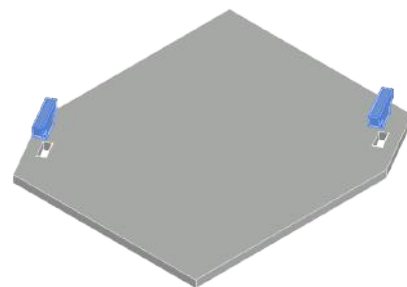
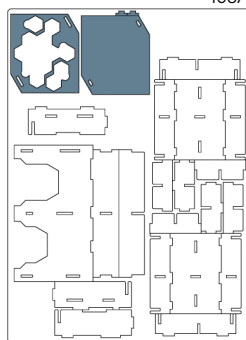
Once verified the correct assembly
 sequence, just add a small quantity
of PVA glue on every joint.
 Dopo aver verificato
 la sequenza di assemblaggio
 aggiungi una piccola quantità di
colla vinilica su tutti
 gli incastri per garantirne
 la durata nel tempo.

INSTRUCTIONS

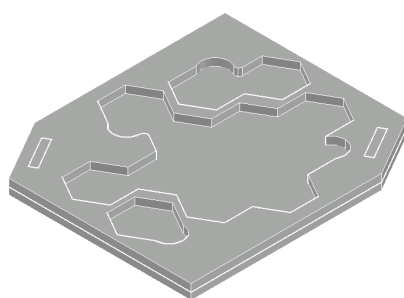
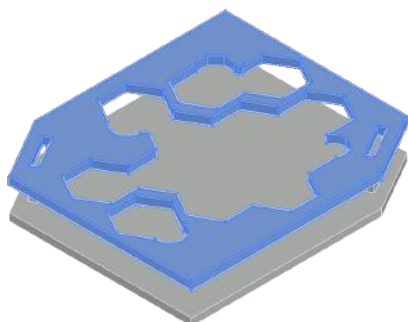
A

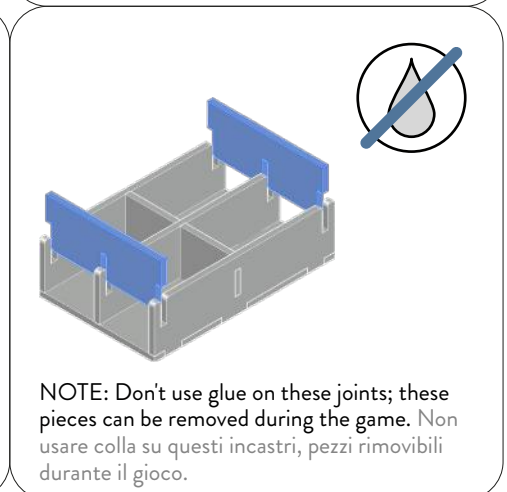
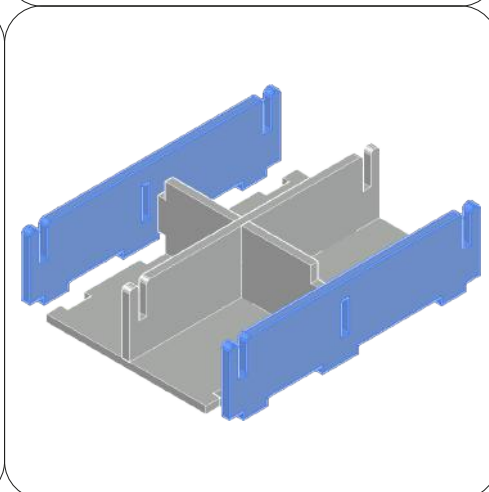
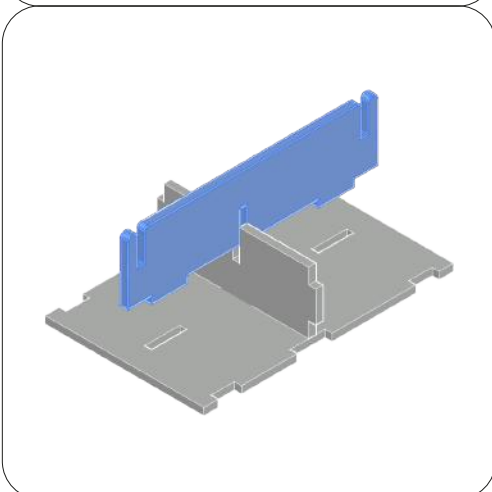
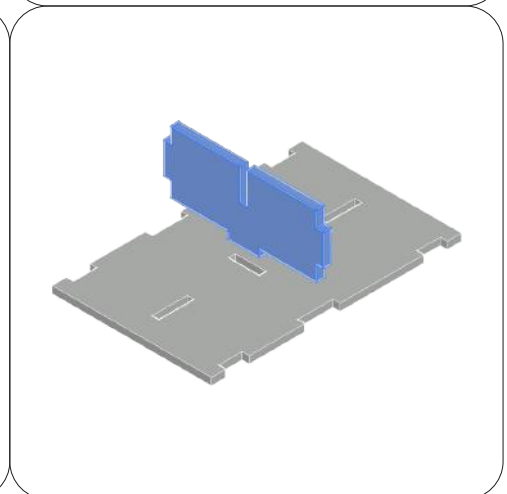
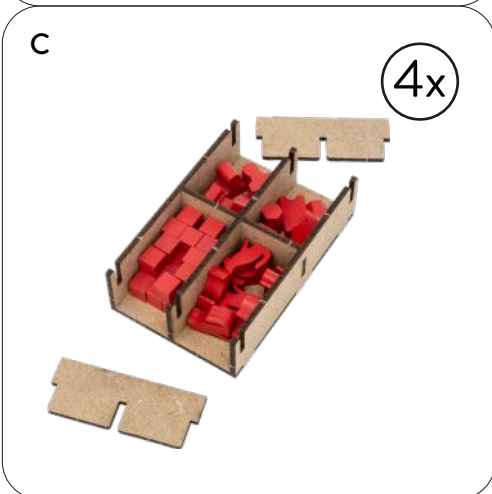
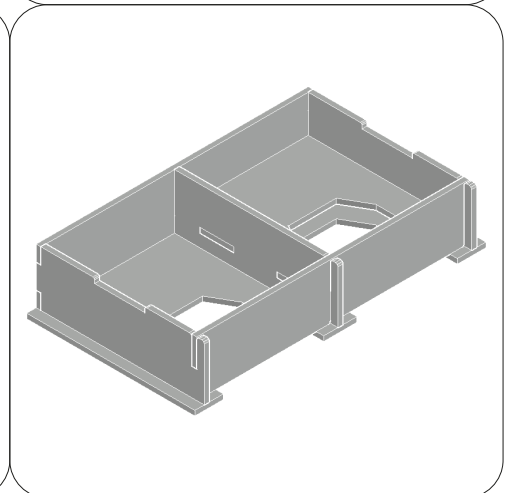
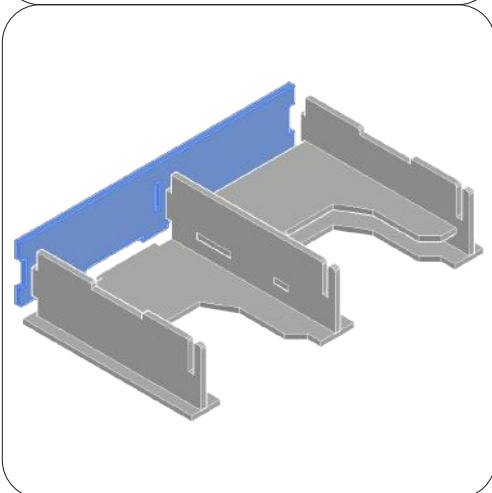
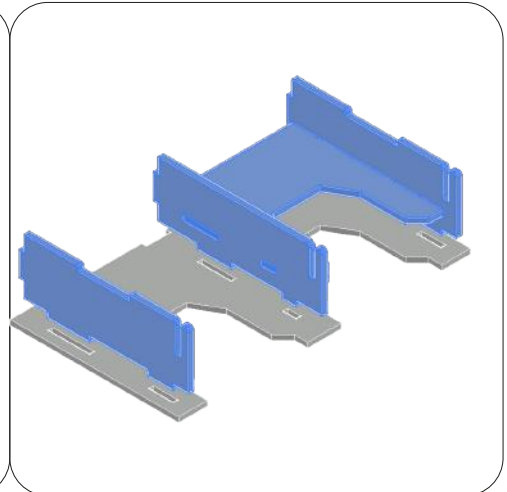
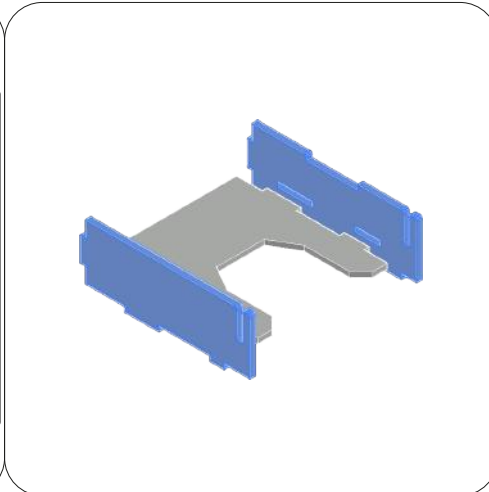
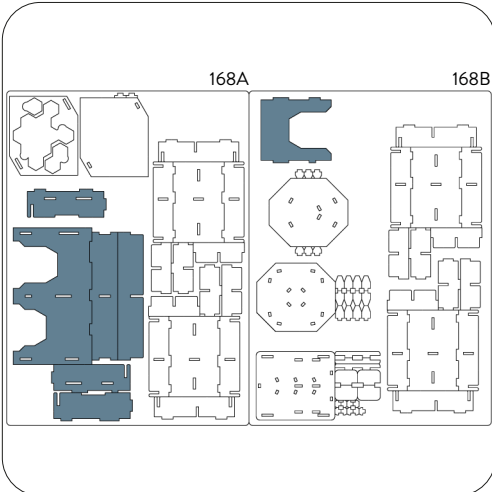


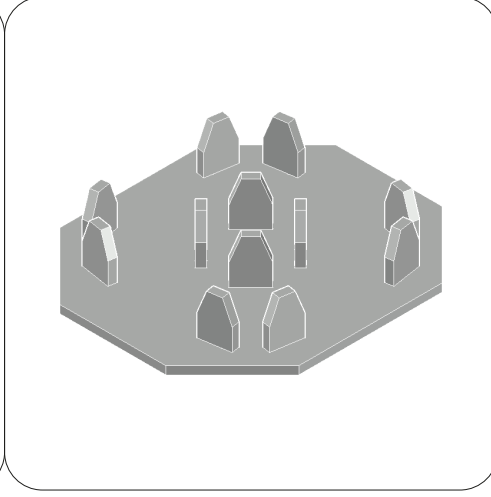
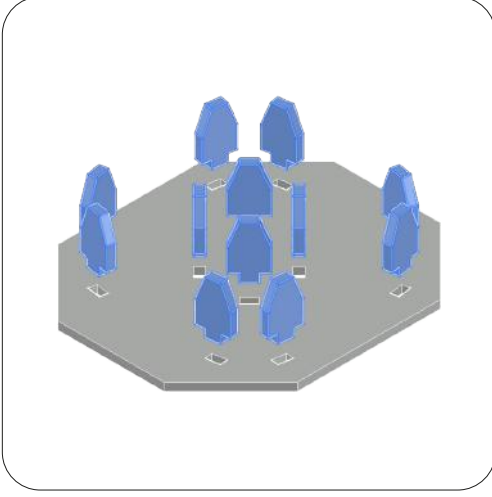
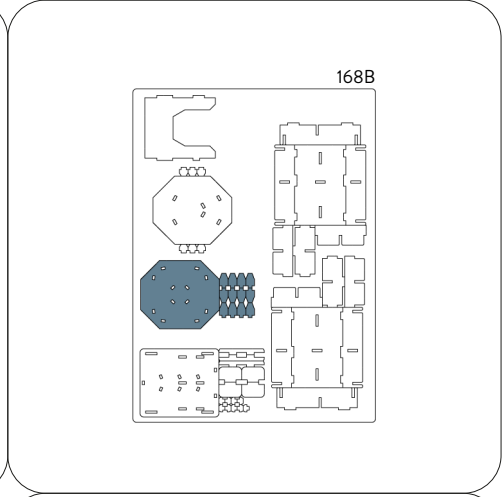
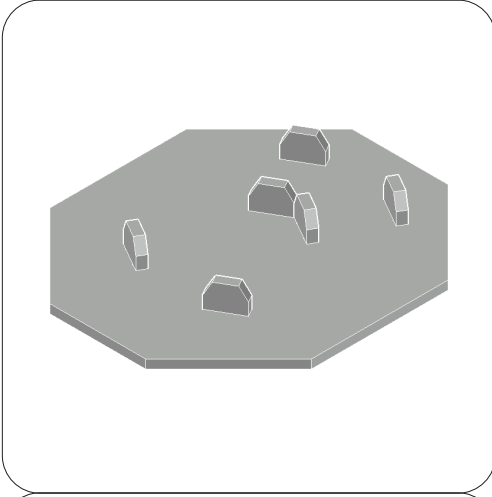
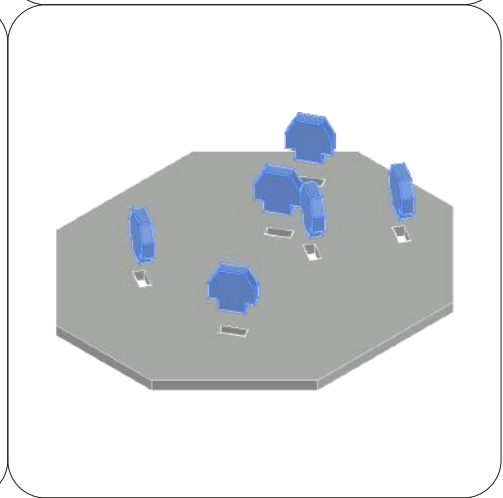
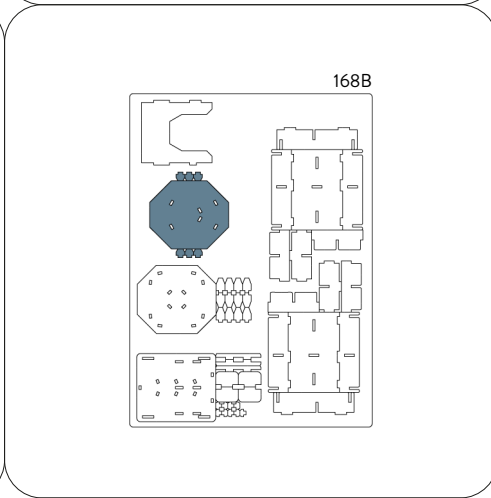
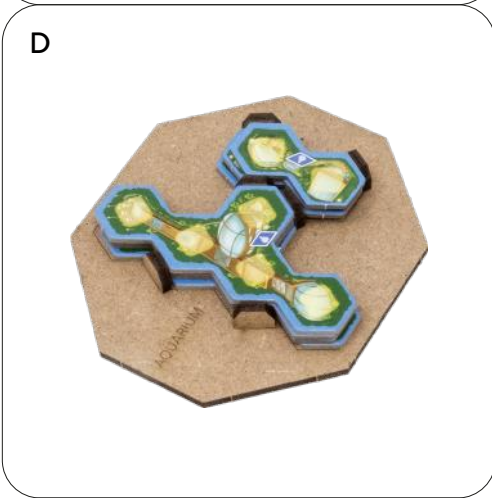
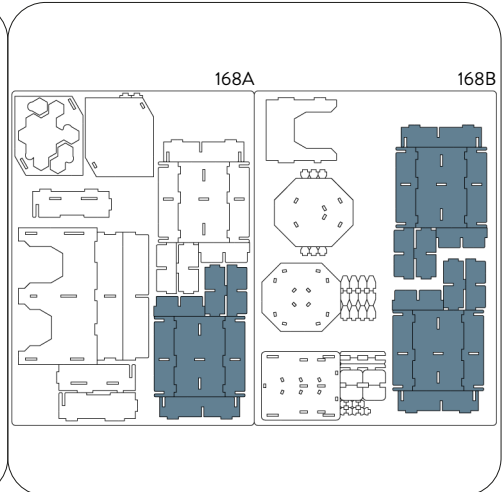
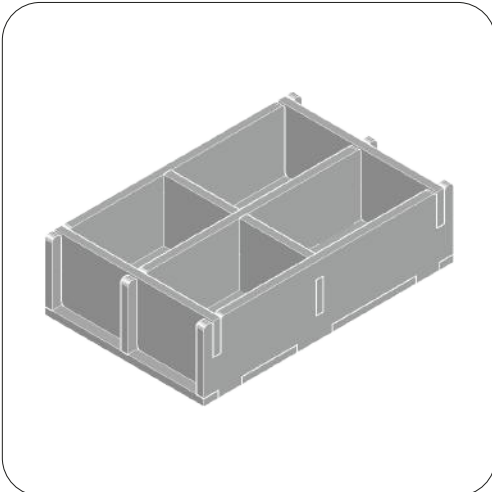
168A

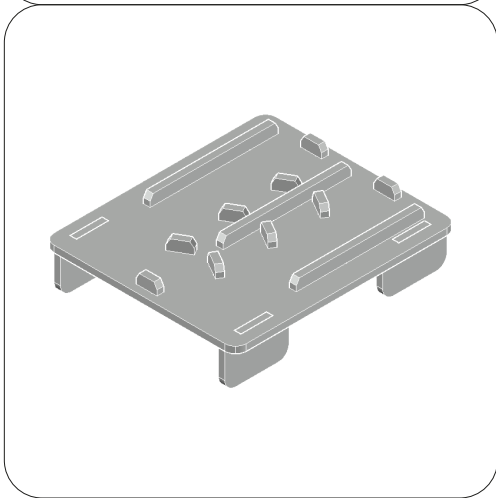
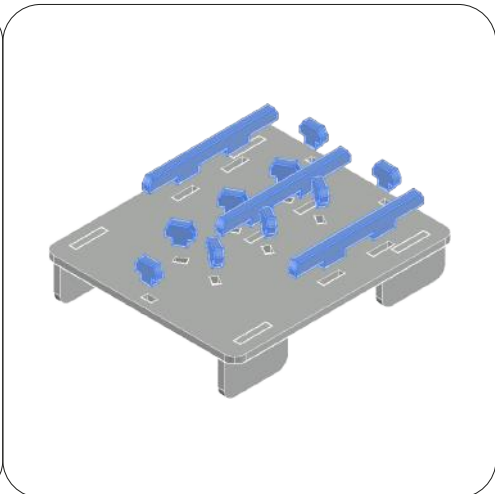
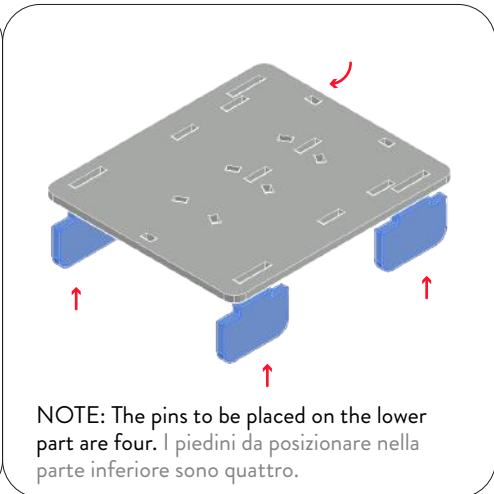
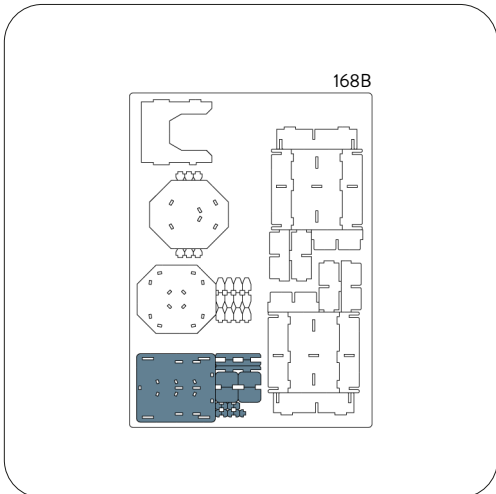


B









This upgrade pack replaces the following parts from our old organizer.
 Questo upgrade pack sostituisce i seguenti pezzi dal nostro vecchio organizer.



REBOXING SEQUENCE!



Every piece will stay in its slot. Follow the reboxing sequence to properly store your organizer. We recommend using a h-band to avoid accidental box opening. Don't shake. Ogni componente rimarrà al suo posto. Segui la sequenza di reinserimento per riporre nella maniera corretta il tuo organizer. Consigliamo l'utilizzo di una h-band per evitare aperture accidentali. Non scuotere.



All trademarks and copyrights are the property of their respective owners.
This product is not a toy. Contains small parts that can be swallowed or inhaled. 14+